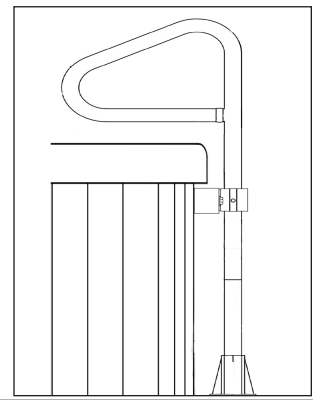


SpaEase™ Access Rail DM-54

INSTALLATION INSTRUCTIONS



Parts List

Upper Rail	QTY 1
Lower Rail	QTY 1
Mounting Bracket-A	QTY 1
Mounting Base	QTY 1

Hardware for Rail Package

Inset Screw	QTY 1	2.0" Lag Bolt	QTY 2
2.5" Lag Bolts	QTY 3	Washers	QTY 5
Lag Bolt Caps	QTY 6	Inset Screw Cap	QTY 1

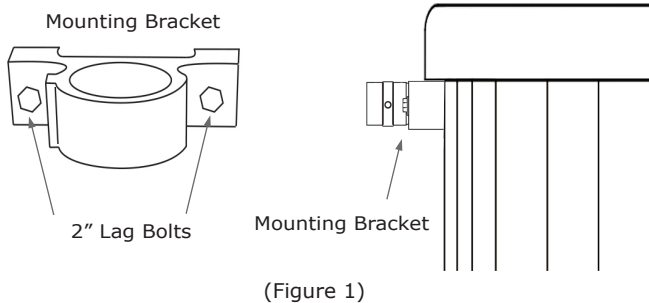
Required Tools: Screw Gun, 9/32" Drill Bit, Allen Wrench, Carpenter's Level

WARNING: FOR SAFE OPERATION AND PROTECTION TO YOUR HOT TUB CABINET

Make certain there is a wooden support behind the panel where you plan to install the Mounting Bracket. This ensures the Lag Bolts have a firm attachment. Most hot tubs have a horizontal frame along the top of the spa. If the support is steel, pre-drill with a 0/0" bit to allow for proper attachment of Lag Bolts. If you are unsure if there is structural support for attachment remove cabinet panel to be certain. If there is none, then install a wooden support to the frame.

Step 1. INSTALLING MOUNTING BRACKET

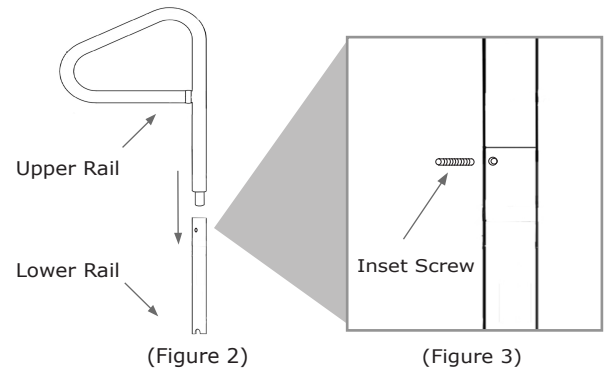
Position Mounting Bracket at the upper most position on the spa cabinet (Figure 1.) and firmly attach using the 2" Lag Bolts and Washers. Strongly recommend pre-drilling each hole with a 9/32" drill bit in advance installing the Lag Bolts. (Make certain to read above WARNING instructions)



(Figure 1)

Step 2. ASSEMBLE ACCESS RAIL

Slide the Upper Rail into the Lower Rail (Figure 2). Attach with the Inset Screw utilizing an Allen Wrench (Figure 3). Make certain Inset Screw is positioned into the rail by approximately a 1/4" to allow installation of Screw Cap. Do not install Screw Cap at this point.



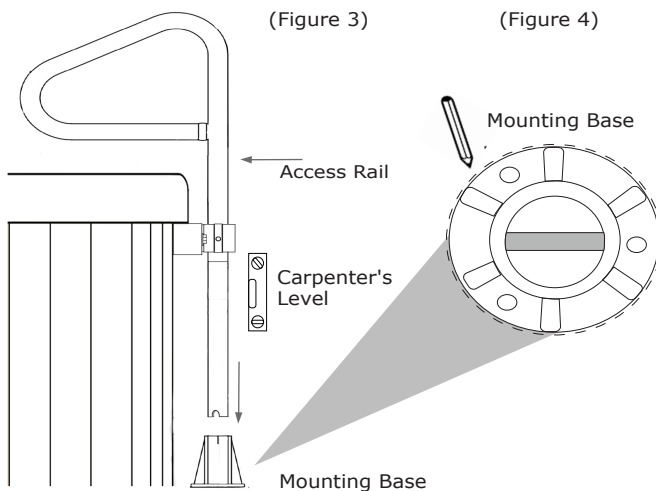
(Figure 2)

(Figure 3)

Step 3. POSITIONING THE RAIL

Position the Mounting Base on the deck and then slide the Access Rail fully through the Mounting Bracket and into the Mounting Base*. Use a carpenter's level to make certain the Access Rail is straight (Figure 3.), then remove the Access Rail. With a pencil draw a circle where the Mounting Base is located (Figure 4.).

*If the bottom of the Access Rail does not pass to the bottom of the Mounting Bracket so that it slides over the Internal Locking Key, the Set Screws will need to be turned back with a 3/16" Allen Wrench. These screws are to secure the rail in one position).



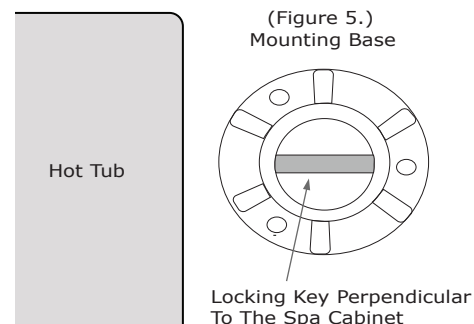
(Figure 3)

(Figure 4)

Step 4. ATTACHMENT OF MOUNTING BASE

Turn Mounting Bracket so that its internal Locking Key is perpendicular to the spa cabinet. Mark the center of each hole then Pre-drill with a 9/32" drill bit (Figure 5.). Then reposition the Mounting Bracket and attach it to the deck with 2.5" Lag Bolts and Washers. Again, make certain the Locking Key is perpendicular to the spa cabinet.

Then, slide the Access Rail back into place and make certain that it drops and locks into place so that it can be positioned facing into the spa and away from the spa.



(Figure 5.)
Mounting Base

Locking Key Perpendicular
To The Spa Cabinet

Step 5. INSTALLING THE CAPS

Cover each Lag Bolt Caps and the Inset Screw Cap and then test the Access Rail to make certain it is structurally strong.