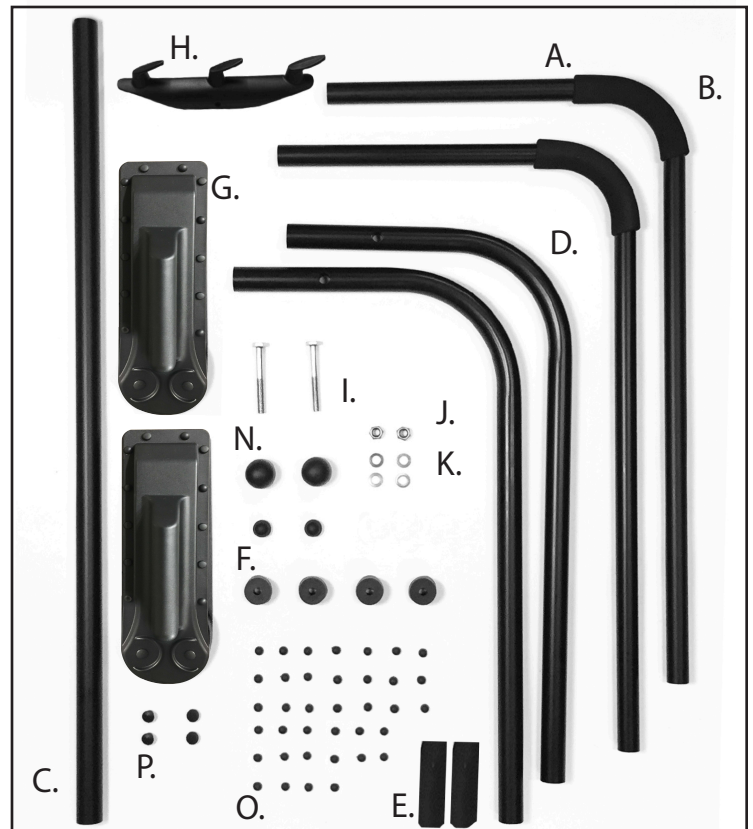


SpaEase 100 Cover Lifter



ITEM	DESCRIPTION	AMOUNT
A.	Support Arm	2
B.	Foam Grip	2
C.	Center Coupler	1
D.	Pivot Arm	2
E.	Pivot Arm Foam Handle	2
F.	Bushing	4
G.	Mounting Bracket	2
H.	Towel Holder	1
I.	3/8" x 3" Hex Cap Bolt	2
J.	3/8" Nylon Locknut	2
K.	3/8" Flat Washer	4
L.	#10 x 5/8" Self Tapping Screws	13 <small>Not Shown</small>
M.	#10 x 1" Mounting Screws	24 <small>Not Shown</small>
N.	Large Black Dome Caps	2
O.	Small Black Dome Screw Caps	37
P.	7/16" Plugs	4

Recommended Tools

- Ruler or Square
- Drill w/ bits
- Ratchet
- 3/8" Extended socket
- 3/8" Wrench
- Flat or Phillips head screwdriver

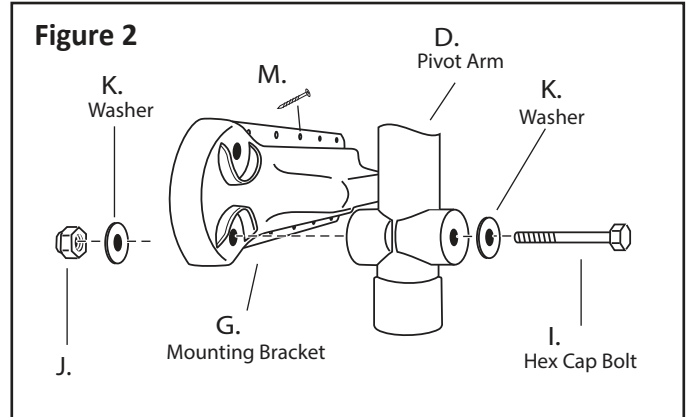
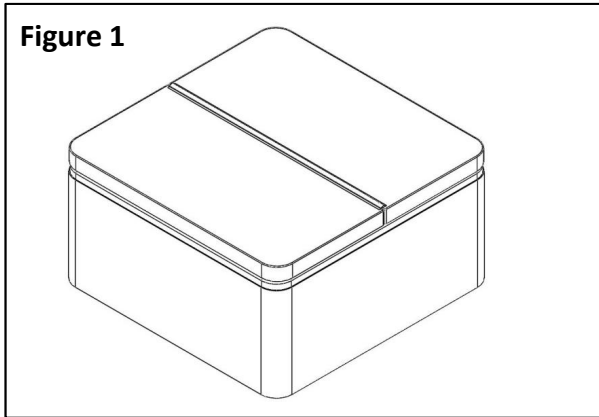
CAUTION!!

DO NOT USE THE SPAEASE 100 IN HIGH WIND CONDITIONS. DOING SO COULD CAUSE THE COVER TO FALL. DAMAGE TO THE SPA/COVER/ SPAEASE 100, OR INJURY TO THE OCCUPANTS MAY OCCUR. NEVER LEAVE AN UNCOVERED HOT TUB OR SPA UNATTENDED. NEVER LEAVE A COVERED HOT TUB OR SPA UNLOCKED.

Installation Instructions

Step 1: Position the spa cover (in closed position) on the spa, making sure that all four corners are properly positioned and square on the spa. (See Fig 1)

Step 2: Connect the Pivot Arms to the Mounting Brackets (See Fig 2.) After the Pivot Arms are connected, tilt them back into the upright position. (This step needs to be performed before mounting the Brackets as access to the rear bolts will be limited once mounted to your spa)

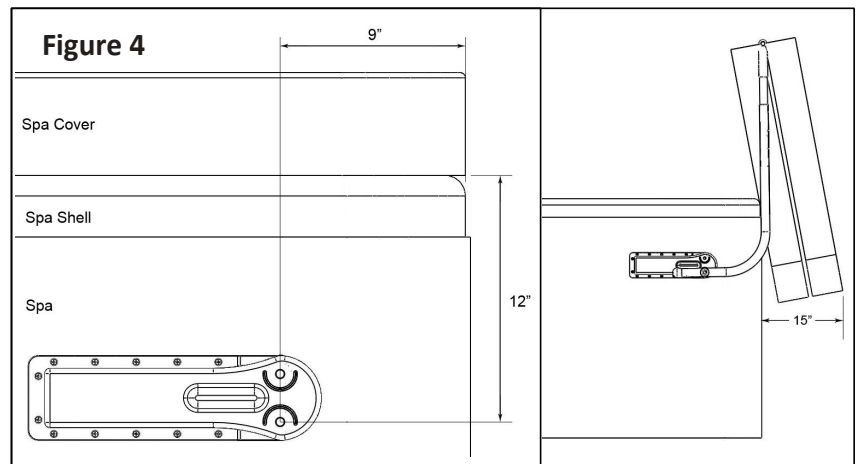
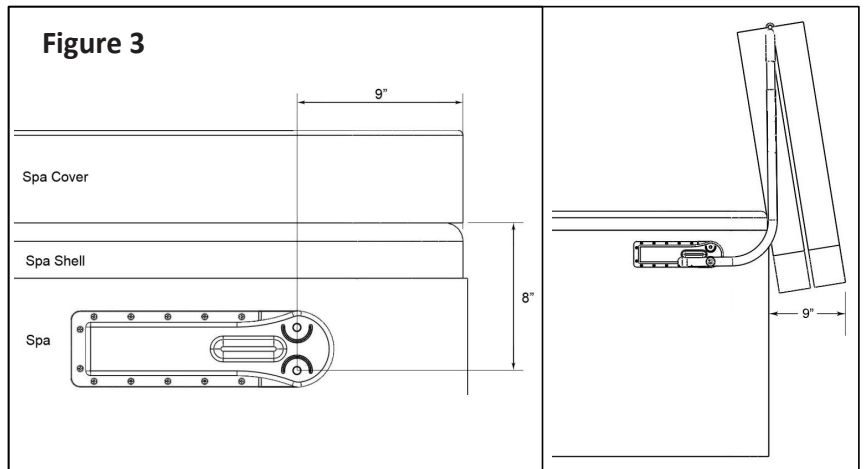


Step 3: Attach the Mounting Brackets (G) to the left and right sides of the spa with the #10 x 1" Mounting Screws (M) Position the Mounting Bracket in either Position A or Position B depending on how high you want your cover to stand up and how much rear clearance you have.

Caution< To prevent splitting of cabinet panels predrill mounting holes with 1/16" Drill Bit

Position A: The Mounting Brackets (G) are mounted 8" from the top of the spa shell and 9" from the back of the spa shell. Approximately 9" of clearance is needed behind the spa, at this position approximately 75% of the spa cover will be standing above the spa surface when lifted as shown in (See Fig 3)

Position B: The Mounting Brackets (G) are mounted 12" from the top of the spa shell and 9" from the back of the spa shell. Approximately 15" of clearance is needed behind the spa, at this position approximately 50% of the spa cover will be standing above the spa surface when lifted as show in (See Fig 4)



Step 4: Insert the long side of the Support Arms (A) into the Center Coupler (C) as shown in (See Fig 5)

Note: for narrow covers flip to Support Arms (A) and insert the short side of the Support Arm (A) into the Center Coupler (C)

Step 5: Insert the short arms of the Support Arms (A) into the Pivot Arms (D) as shown in (See Fig. 6)

Figure 5

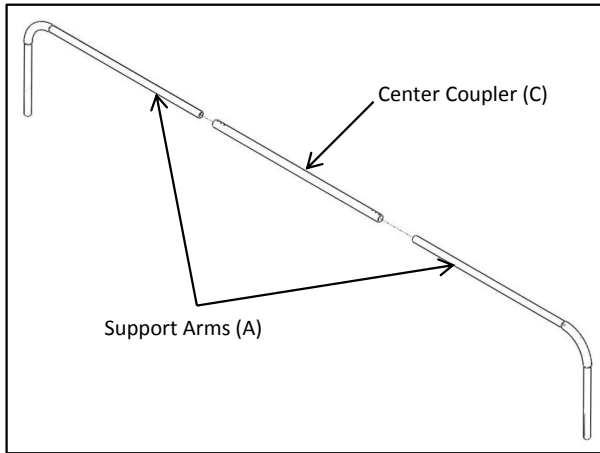
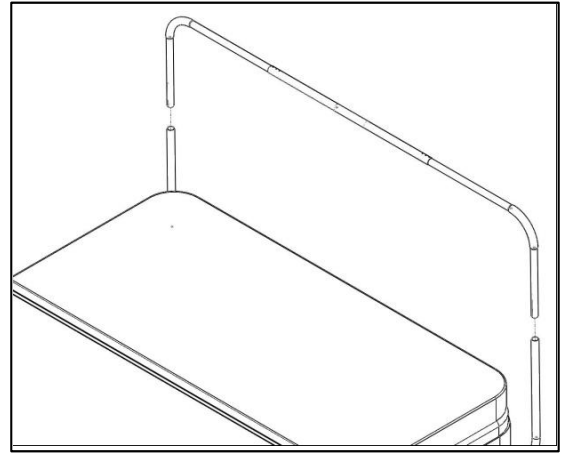


Figure 6



Step 6: Lay the SpaEase 100 on the spa cover as shown in (See Fig 7). Adjust the Center Coupler Assembly and the Support Arms so that the Center Coupler Assembly is lying parallel to the spa cover hinge approximately $\frac{1}{2}$ " away. (See Fig 8)

Figure 7

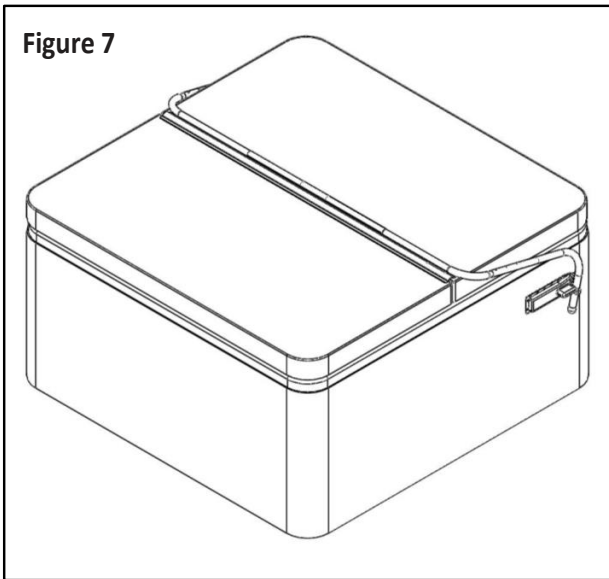
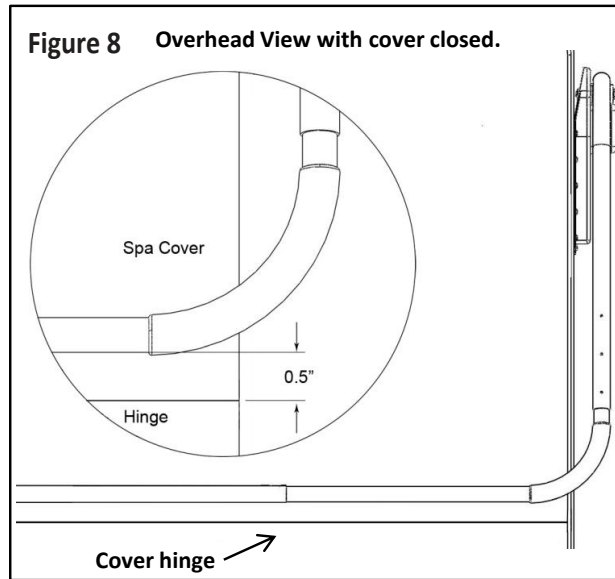


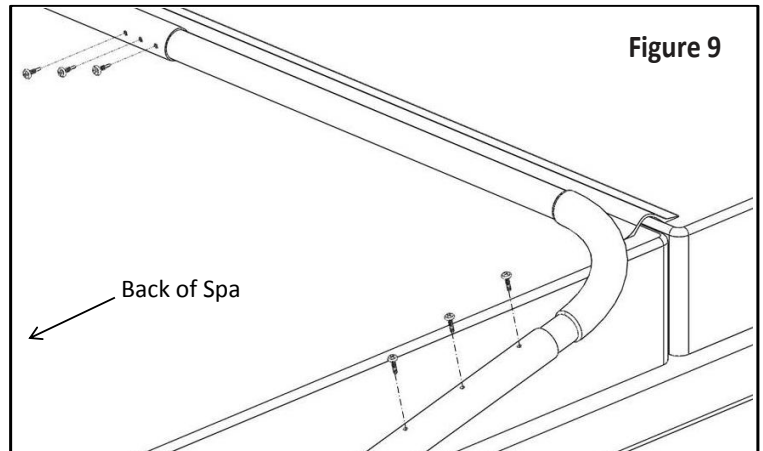
Figure 8 Overhead View with cover closed.



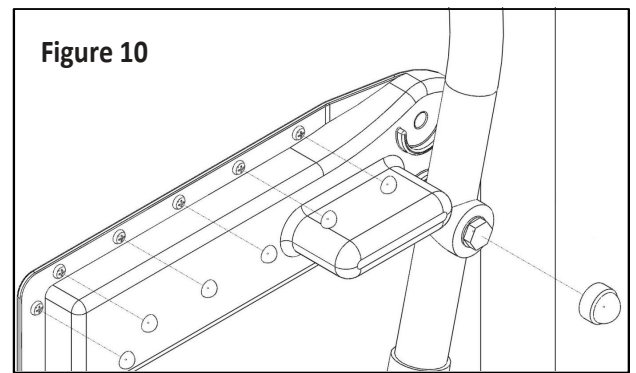
Step 7: Using the #10 x 5/8" Self-Tapping Screws (L) to fasten the Support Arms (A) to the Pivot Arms (D) and the Center Coupler (C) Refer to (See Fig 9)

Note: Be sure to rotate the center coupler so that the inserted screws are horizontal, with the heads facing the back of the spa, where the cover will be stowed.

Figure 9



Step 8: Press the decorative Large Black Dome Caps (N) over the heads of the 3/8" x 3" Hex Cap Bolts. Then press the decorative Small Black Dome Caps (O) over the heads of all exposed #10 screws (L & M) You may need a small amount of glue/epoxy depending on climate. (See Fig 10)



The SpaEase 100 was designed for a specific use. The SpaEase 100 is not designed to BEND, WARP, or to be ABUSE PROOF. Do Not stand, sit, or lie on, or permit heavyweight to rest on the SpaEase 100. Do not clean with abrasives, solvents, or strong detergents. Most of the hardware has been Zinc coated for durability but will deteriorate quicker when exposed to high levels of Chlorine, Bromine, Ozone, or other active chemicals. Check nuts and bolts often and tighten if necessary.

Any parts showing evidence of wear should be replaced immediately. Call 1-860-469-2580 or email info@hottubproducts.com for any replacement or special-order parts. Caution must be used when operating the SpaEase 100 in order to maintain its function and longevity. The maintenance and use instructions are provided to prevent damage to the SpaEase 100. Damage caused by the failure to follow the maintenance and operation instructions will not be covered by the manufacturer's warranty.

Operation Instructions

How to **OPEN** your spa cover using the SpaEase 100:

1. Fold spa cover onto itself.
2. Lift SpaEase 100 and spa cover to upright position by lifting at the Foam Grip (T) on the Support Arm (A), while supporting the middle of the cover with the other hand. The Pivot Arm will stop when it contacts the Mounting Bracket (F).

How to **CLOSE** your spa cover using the SpaEase 100:

1. With the spa cover in the upright position, hold the Foam Grip (T) on the Support Arm (A), and slowly guide the cover and SpaEase 100 onto the spa shell. **NEVER** allow the spa cover to fall onto the spa shell unassisted, as it can cause damage to your SpaEase 100, spa, and/or spa cover!
2. Unfold the spa cover off itself and engage the spa cover locks if available.

